

Heatmiser UK Ltd
Primrose House
Primrose Street
Darwen
Lancashire
BB3 2DE

Tel: +44(0)1254 776343
www.heatmiser.co.uk

Operating Instructions

DT, PRT, PRT/HW
PRT-R, PRT-R2


Effective Temperature Control™



Contents

Contents	1
Installation	2-4
Terminology	5-7
Frost protection (Stat off)	8
Temperature calibration	8
Setting the clock	9
Manual heating override	10
Floor limit setting	10
Programming comfort levels	11-12
Programming hot water levels	12
Hot water override	13
Wiring	
DT Wiring Diagrams	14-16
PRT Wiring Diagrams	15-20
PRT/HW Wiring Diagrams	21-22
PRT-R Wiring Diagrams	23
PRT-R2 Wiring Diagrams	24

1. Installation

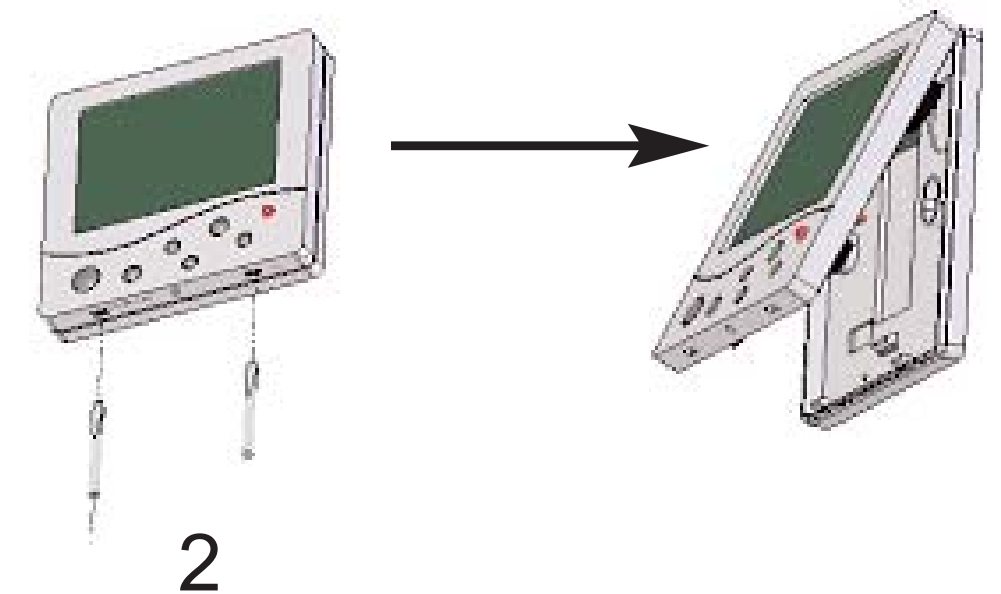
1. The thermostat is flush mount, a back box of 35mm should have been sunk in the wall prior to installation.

2. The thermostat should be mounted at around 6ft or eye level.

3. Do not install near a direct heat source.

Step 1

Carefully separate the front half of the thermostat from the back plate by placing a small flat head terminal driver in to the slots on the bottom face of the thermostat.



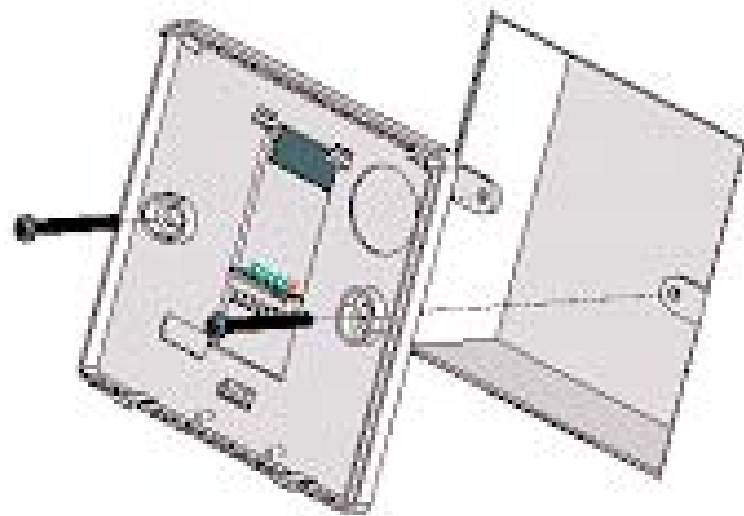
Step 2

Carefully unplug the ribbon connector which is plugged in to the front half of the thermostat.

Place the thermostat front half somewhere safe.

Terminate the thermostat as shown in the diagrams at the back of this booklet.

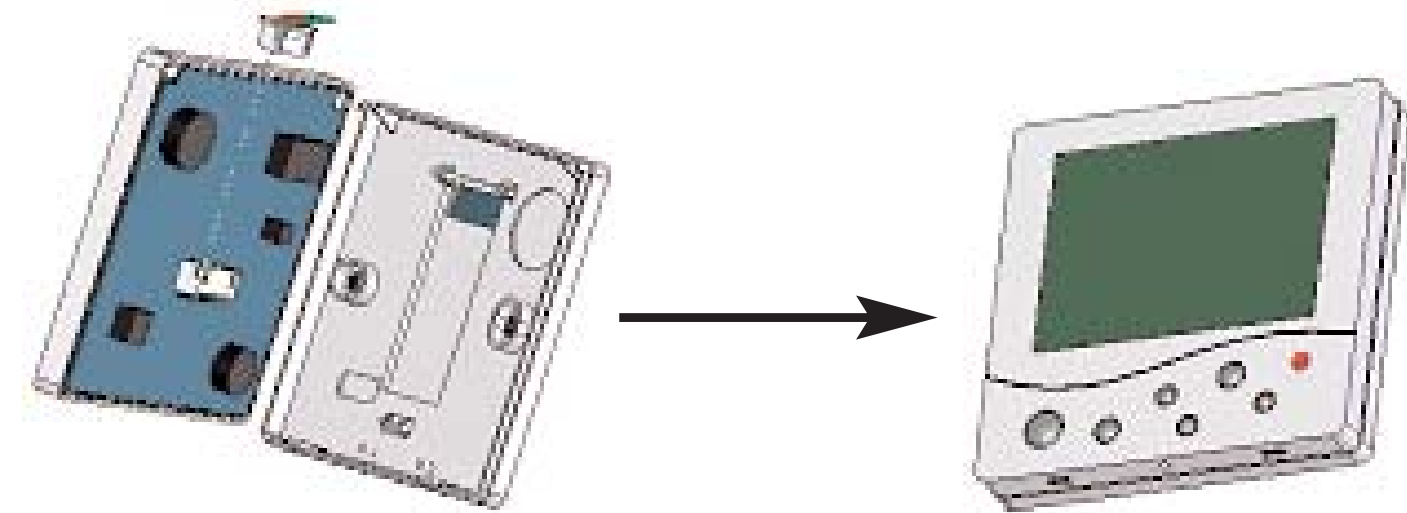
Screw the thermostat back plate on to the back box.



3

Step 3

Re-connect the thermostat ribbon cable and clip the two halves together.



Step 4

Turn on the power to the thermostat and allow the thermostat to stabilise for 1 hour before calibrating.

4

2.Terminology

Set Temperature

This is the temperature the thermostat is currently controlling to. At any time, you can press the Up/Down arrow key and the display will show the Set Temperature for 30 seconds.

RT (Room Temperature)

This is the actual room temperature.

Frost Protection (By pressing "H")

To protect the fabric of the building, the thermostat has a "frost protection" facility. Should the temperature drop below this temperature the heating will be switched on. On certain models the frost protection temperature is adjustable.

Temperature Calibrating

When the thermostat is first installed it requires calibrating. This means taking an accurate reading from a thermometer and then adjusting the thermostat to compensate for any difference. This only needs to be done once and it is recommended that it is done after the thermostat has been operating for 1 hour.

Clock

The programmable models in the range have a built in clock. This is displayed in 24 hr format.

Frost Protection (Thermostat Off)

The thermostat can be made to offer frost protection even when the thermostat is turned off by the On/Off button. In order for this to work, this function must be enabled.

Comfort Levels

The programmable thermostats have 4 comfort levels per weekday/weekend.

The new method of control is not to have on / off times but to allow the occupant to set varying temperature levels throughout the day.

For example;

08.00 - 21 (Wake) 09.30 - 16 (Go to Work)
16.30 - 22 (Return home) 23.00 - 17 (Sleep)

As the programmable thermostats incorporate a 5/2 day clock, 4 levels can be programmed for the weekday and 4 different levels can be programmed for the weekend.

3.Frost Protection (Thermostat Off)

To enable this operation for the steps below.

Turn the thermostat off by pressing 
Press  for 3 seconds.
Select 01 to enable
Select 00 to disable

The thermostat will maintain the frost protection temperature during this mode.

4.Temperature Calibration

When you first install the thermostat, you must calibrate it.

Turn off the thermostat by pressing 
Press  and H for 3 seconds.

The display will show the actual temperature. Use the Up/Down arrow keys to adjust the temperature to the correct value.

Press  to turn off the thermostat and to store the new setting.

5. Setting the Clock (All models, except DT)

With the thermostat turned on, press  twice  will be displayed.

Use the Up/Down arrow keys to set the minutes

Press H to accept the minutes

Use the Up/Down arrow keys to set the hours

Press H to accept the hours

Use the Up/Down arrow keys to set the week day.


To store the new setting, press A

6. Manual Heating Override (Frost Protection)

To put the thermostat in to frost protection mode, press H. A frost protection symbol will appear on the screen.

To cancel the frost protection mode, press H again. The frost symbol will be removed.

7. Floor Sensor Limit (PRT-R2 Only)

The PRT-R2 allows you to program a floor limit temperature. To enable this feature, press  and UP for 3 seconds. 00 = Disabled 01=enabled

To set the floor maximum limit, follow these steps.


With the PRT-R2 turned off

Press H and UP for 3 seconds

You are now prompted to enter the floor limit

Range = 20 - 45 °C

8. Setting the Comfort Levels (Except DT)

To begin programming the comfort levels, press  is displayed as well as the number 1 and Mo, Tu, We, Th, Fr,

You are now able to program the first comfort level for the weekday. You first program a time, followed by the desired temperature.

Enter the first comfort level time. (eg - 07.00)

Press H to accept this time setting.

Then enter the desired temperature. (eg - 21°)

Press H to accept this temperature setting.

You should now repeat this operation for comfort levels 2,3,4. program these in the same way. You will notice that whilst programming the weekend levels, Sa, Su is highlighted on the display.

As described earlier, you should think of these temperatures as “wake, leave, return and sleep” For any unused levels, set the time and temperature to --.--

After you have programmed the week day comfort levels you are prompted to program the weekend levels.

You should program these in the same way.

9. Setting the Hot Water Timings. (Only PRT/HW)

To begin programming the HW timings, press  twice, TIMER ON is displayed as well as the number 1 and Mo, Tu, We, Th, Fr,

You are now prompted to enter the start time for HW timing 1 (Weekday) Eg: 08.00

Press H to accept the start time.
Enter the End time for switching time 1.

You should repeat this for the other 3 switching times for the weekday, and again for the weekend.

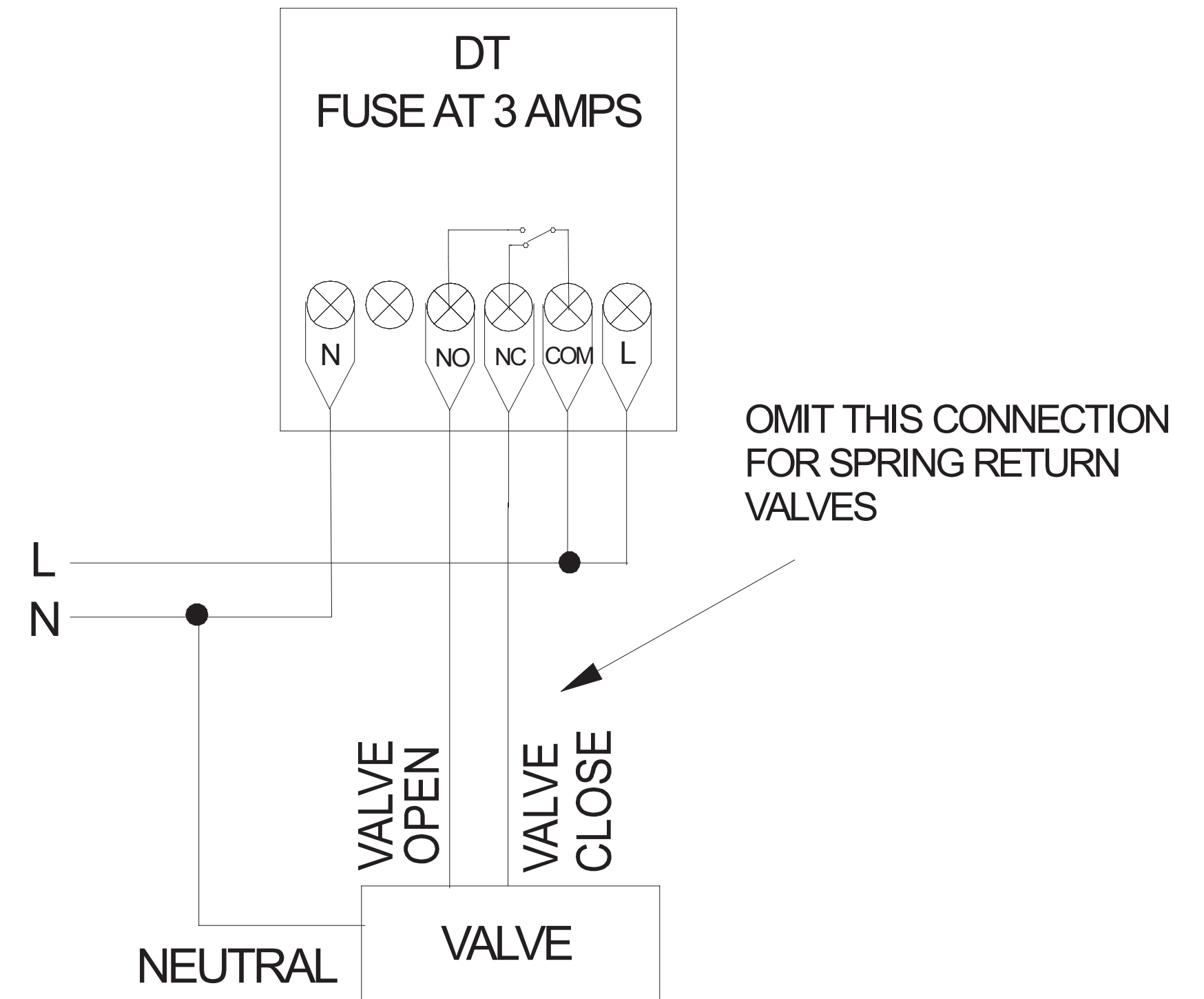
For any unused switching times, leave the times set to --.--

HW Override

Pressing the A button changes the current state of the HW. For example, if the HW is currently timed to be off pressing A will turn on the hot water. TIMER ON will flash to indicate the hot water has been overridden and it will remain in this state until the A button is pressed again.

STANDARD CHANGE OVER

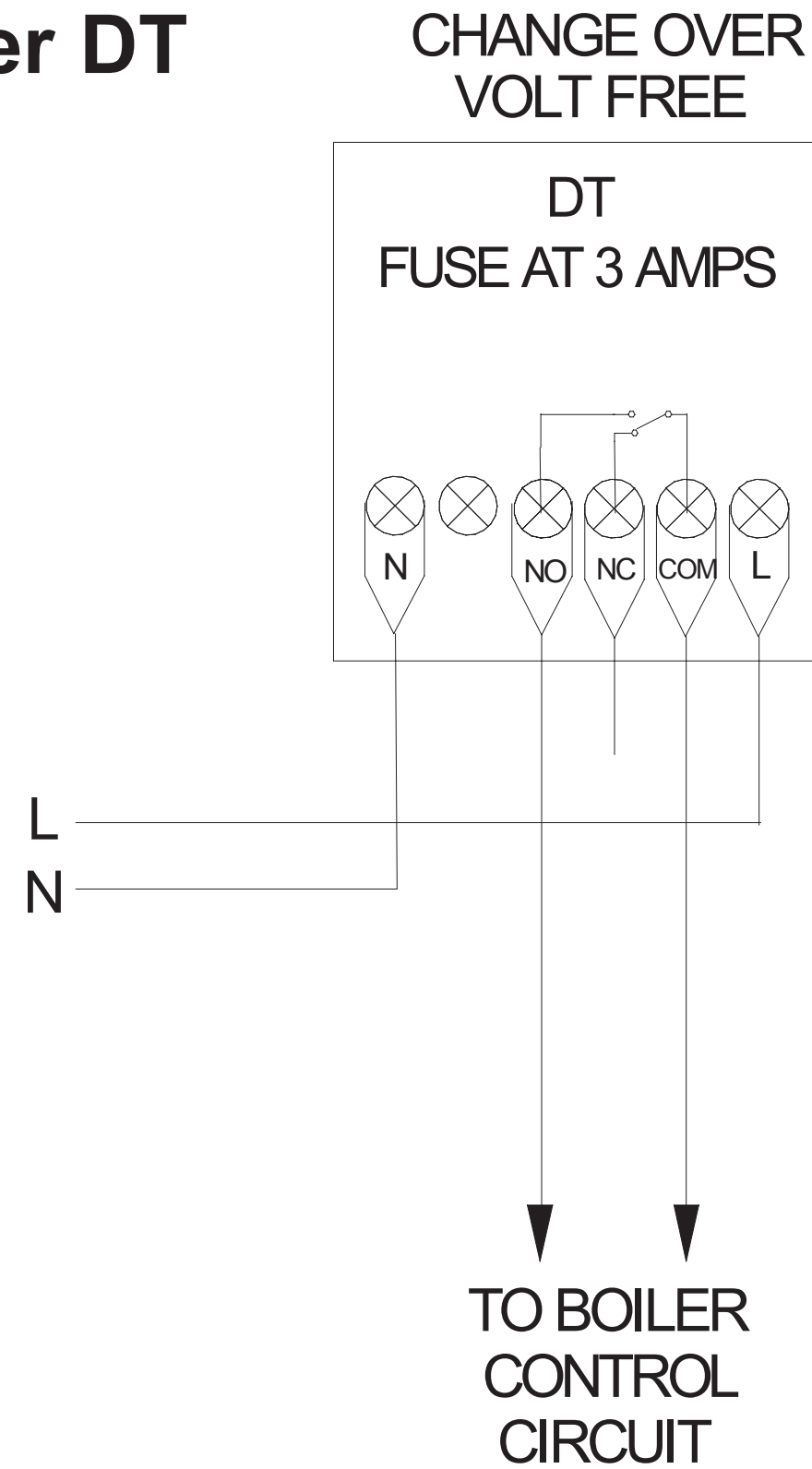
Heatmiser DT



Set-point range: 5-35 °C (Room)

Switch Current Rating: <3A

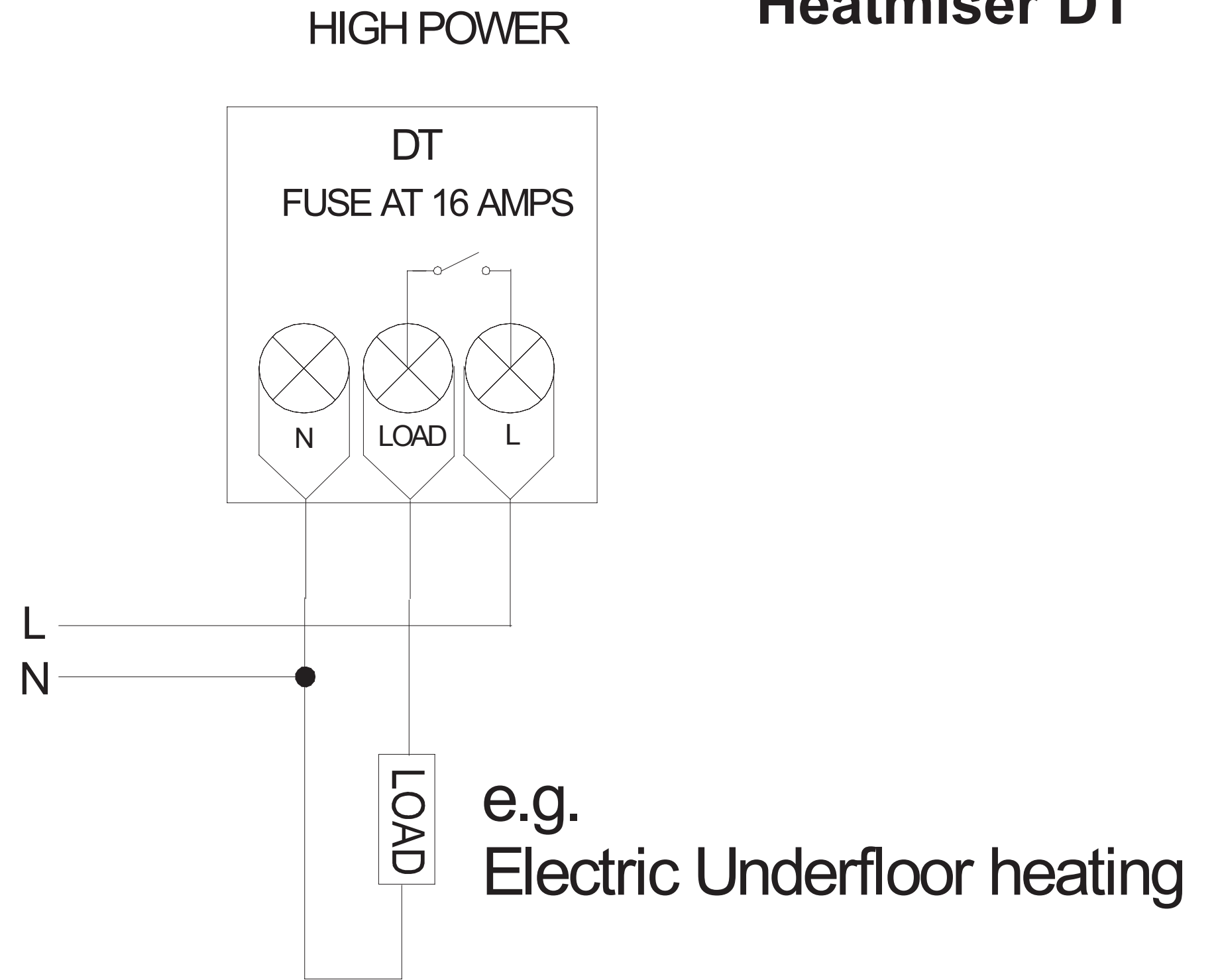
Heatmiser DT



Set-point range: 5-35 °C (Room)
Switch Current Rating: <3A

15

Heatmiser DT

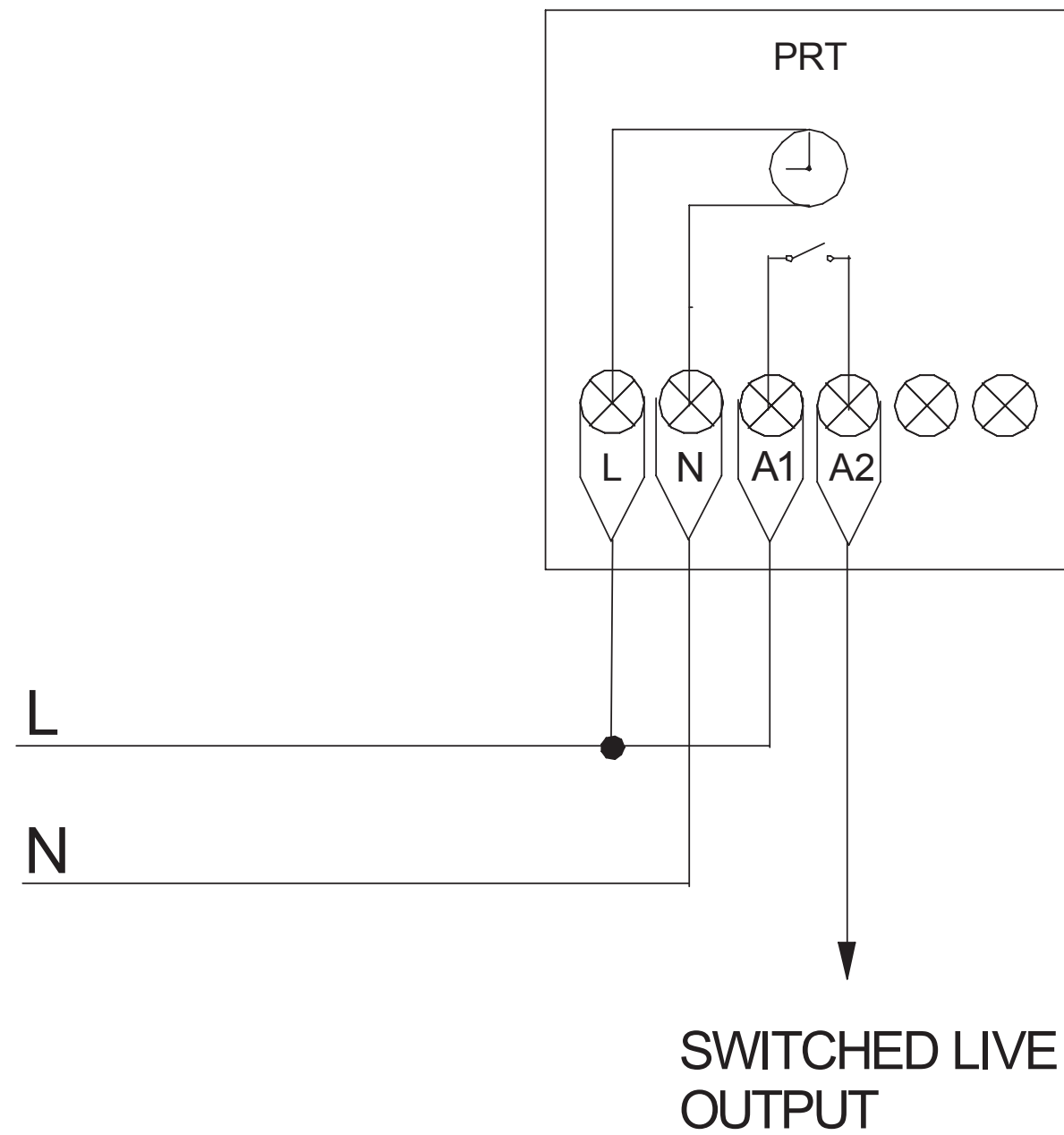


Set-point range: 5-35 °C (Room)
Switch Current Rating: <16A

16

Heatmiser PRT Standard

STANDARD
FUSE AT 3 AMPS

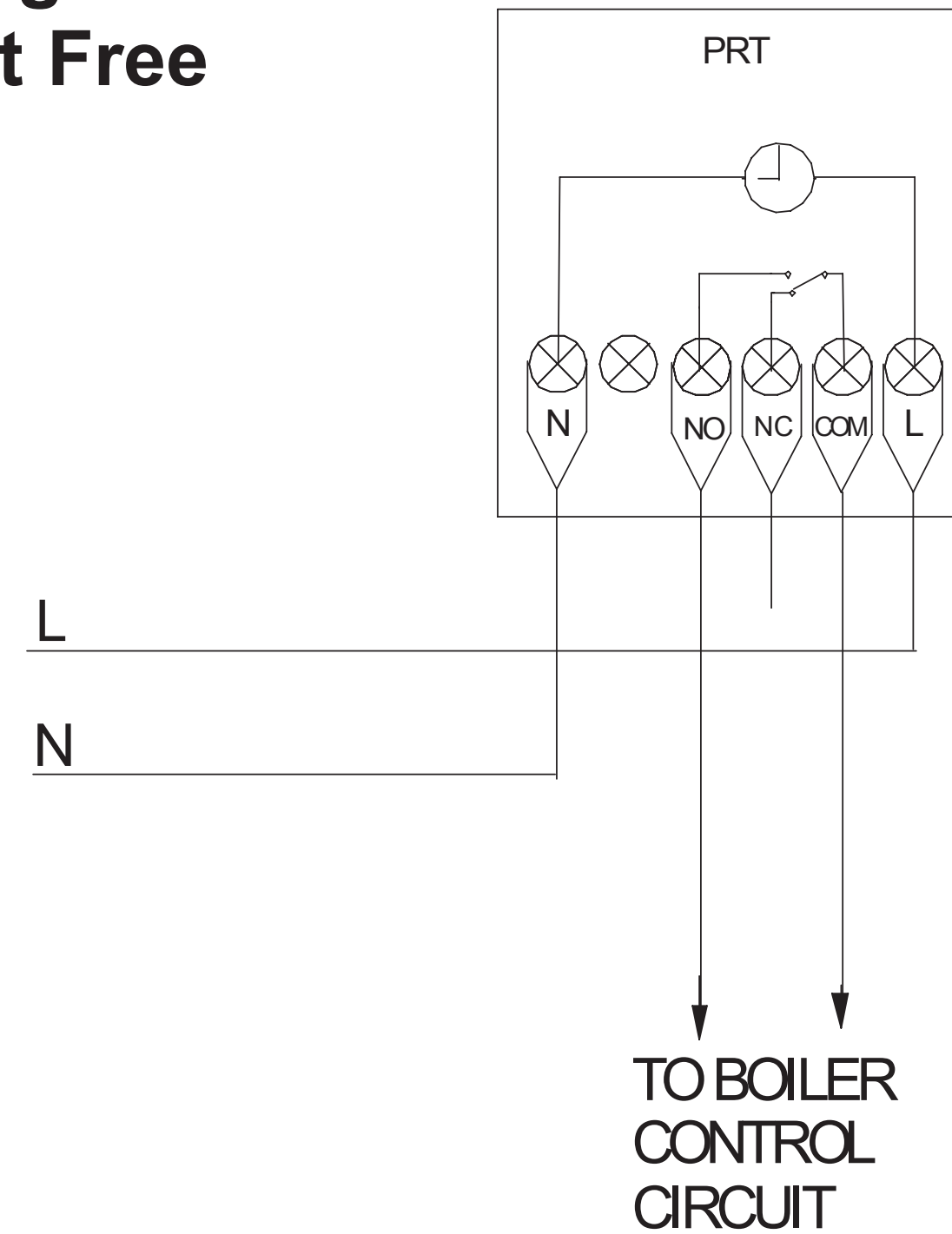


Set-point range: 5-35 °C (Room)
Switch Current Rating: <3A

17

Heatmiser PRT Changeover Volt Free

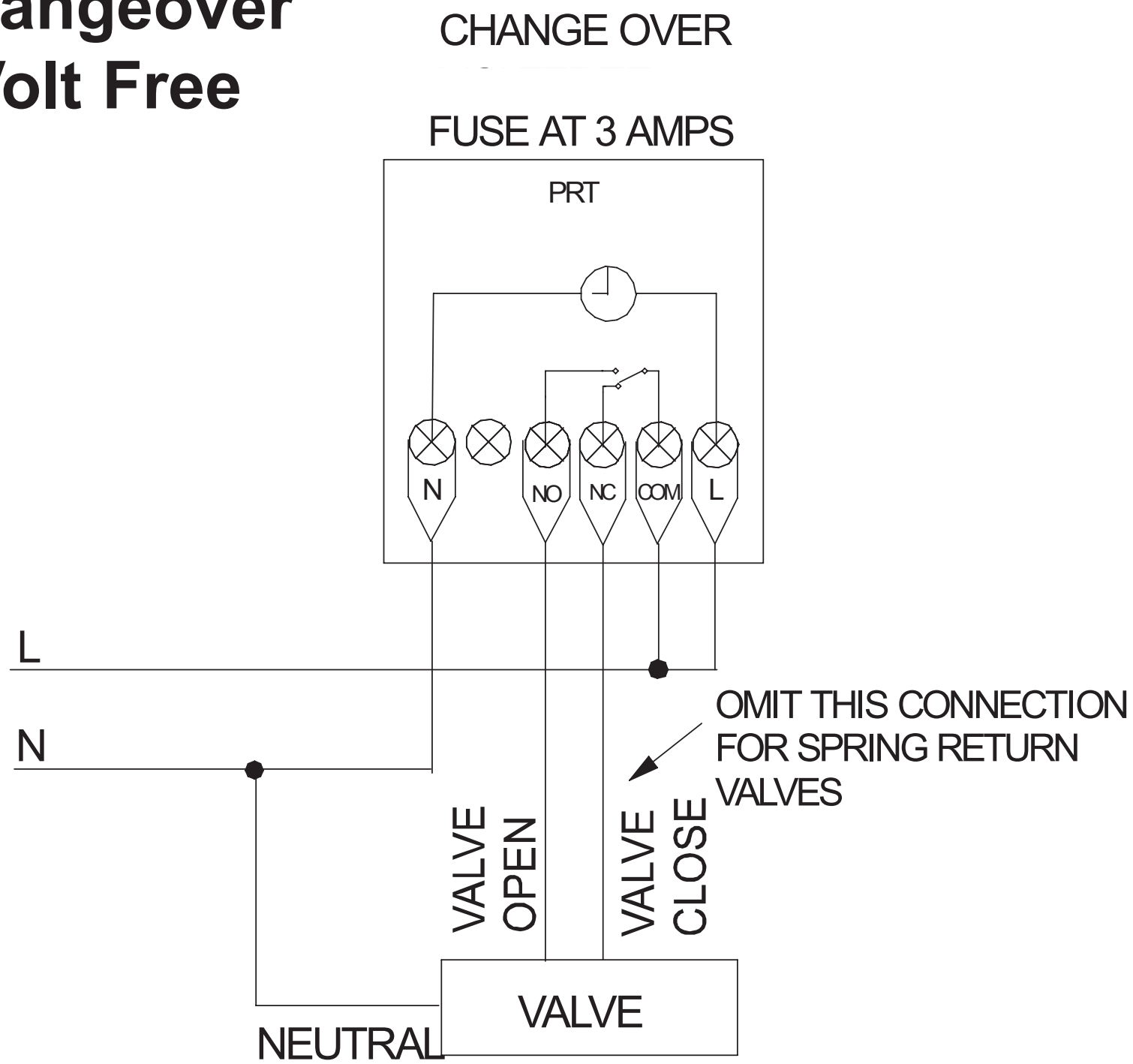
CHANGE OVER
VOLTFREE
FUSE AT 3 AMPS



Set-point range: 5-35 °C (Room)
Switch Current Rating: <3A

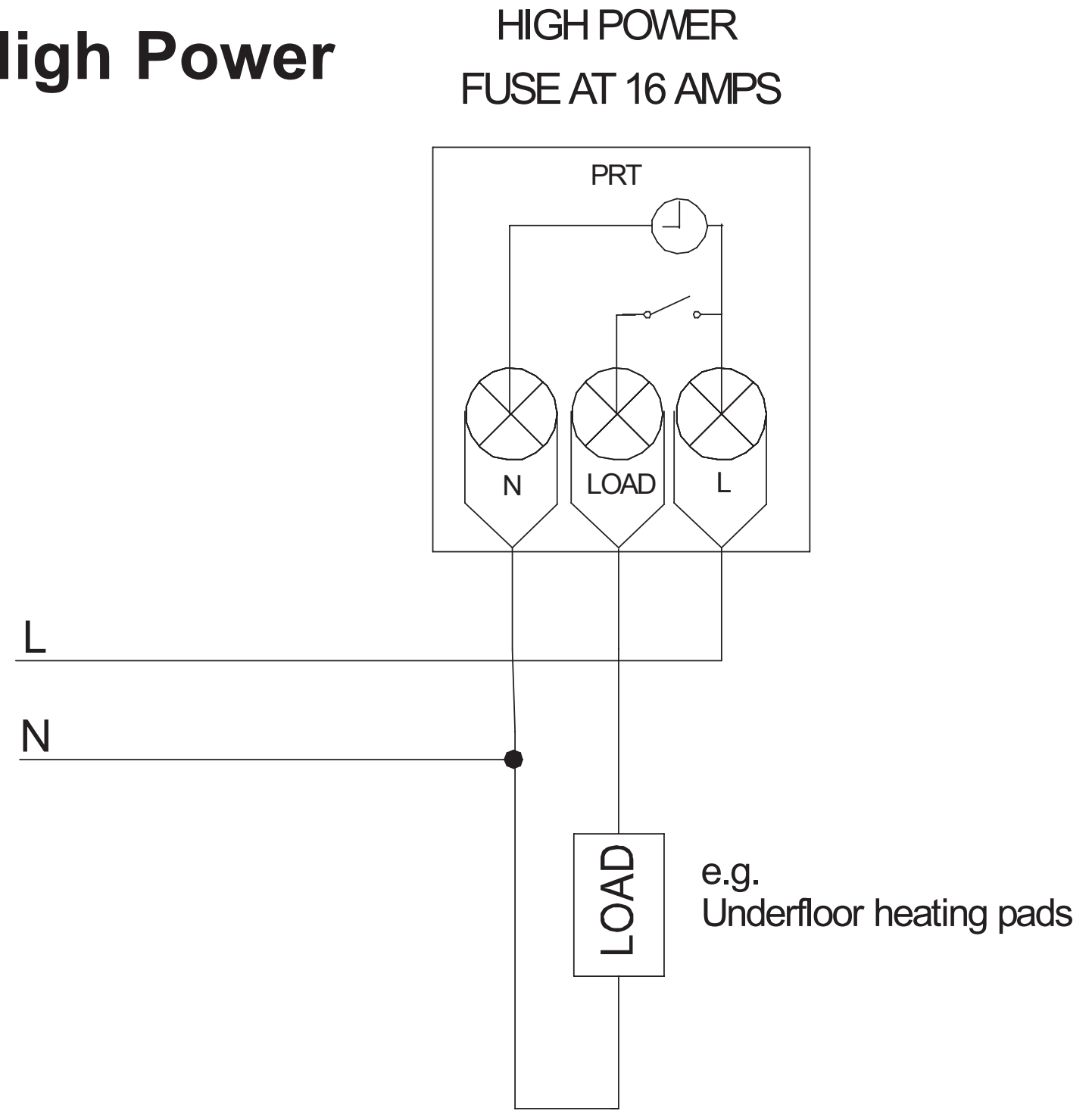
18

Heatmiser PRT Changeover Volt Free



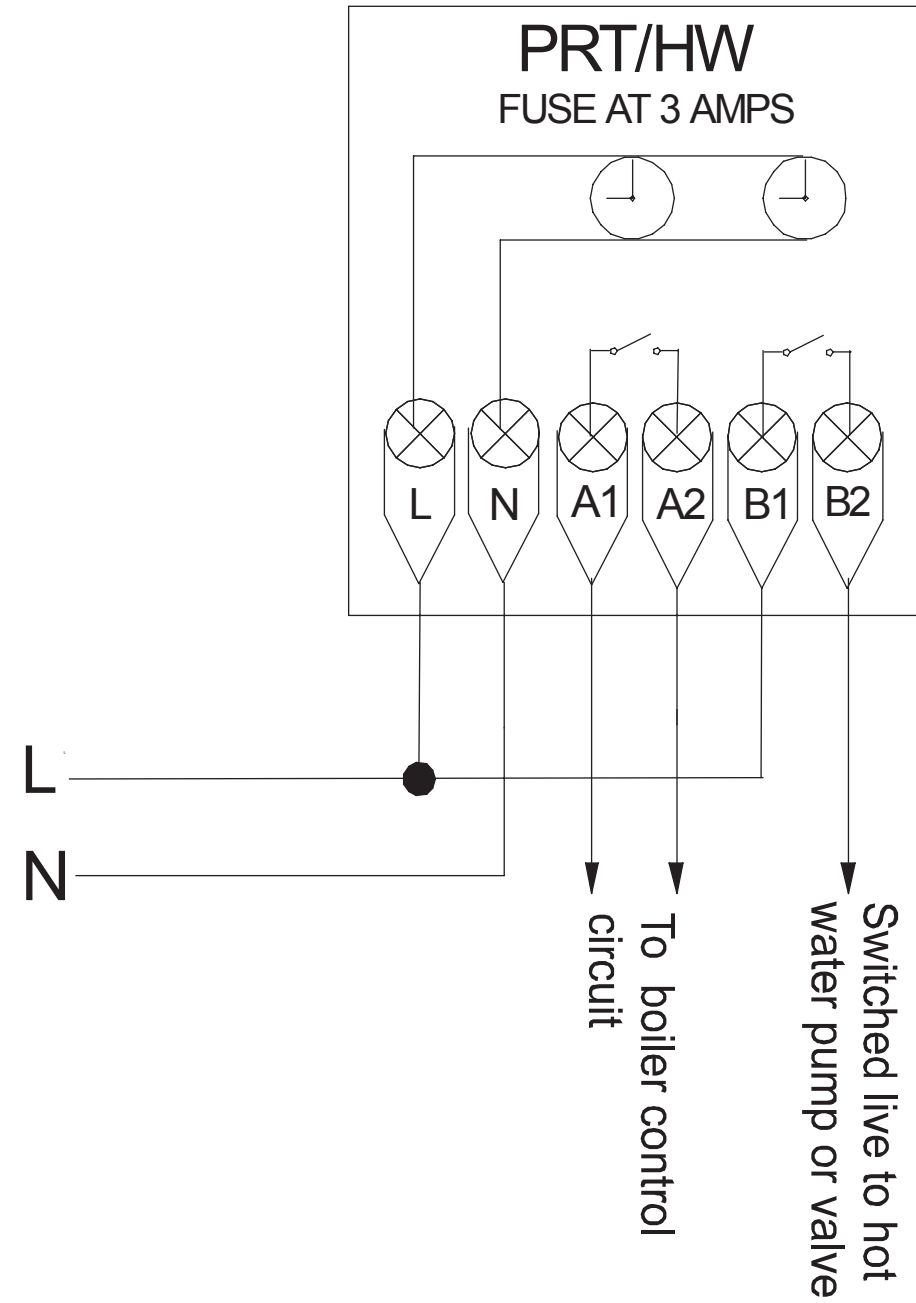
Set-point range: 5-35 °C (Room)
Switch Current Rating: <3A

Heatmiser PRT High Power



Set-point range: 5-35 °C (Room)
Switch Current Rating: <16A

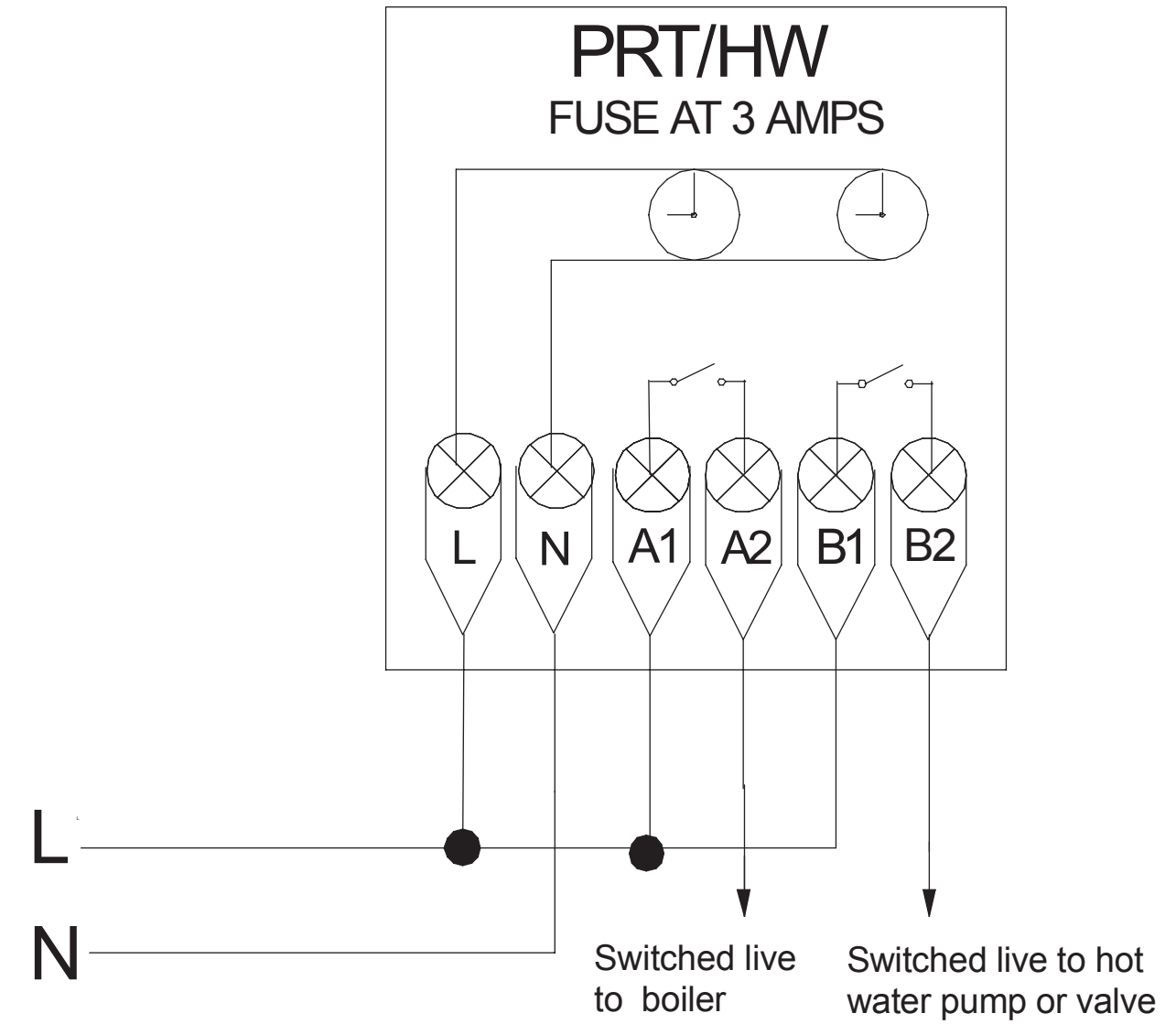
Heatmiser PRT/HW Volt Free



Set-point range: 5-35 °C (Room)
Switch Current Rating: <3A

21

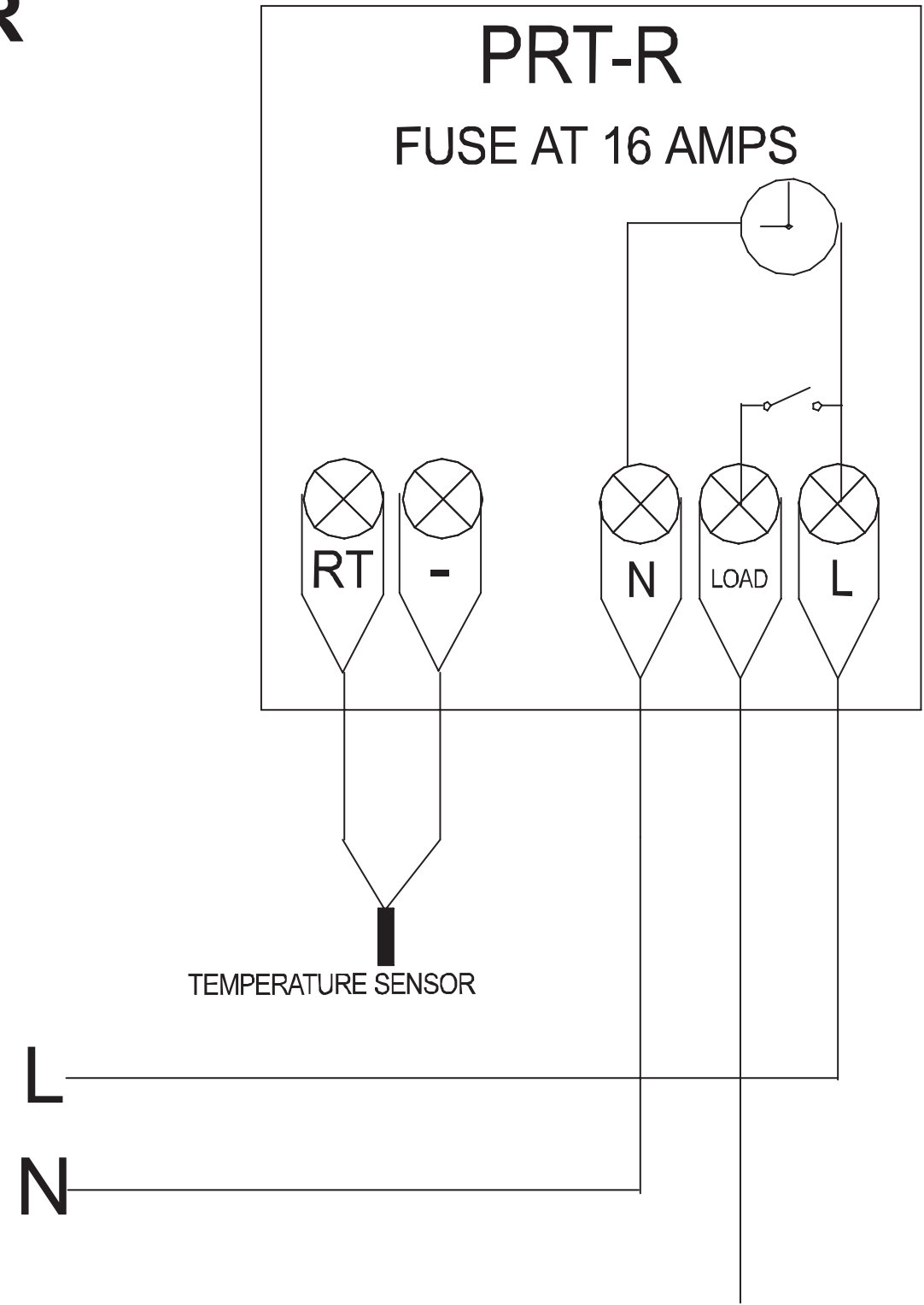
Heatmiser PRT/HW Switched Live



Set-point range: 5-35 °C (Room)
Switch Current Rating: <3A

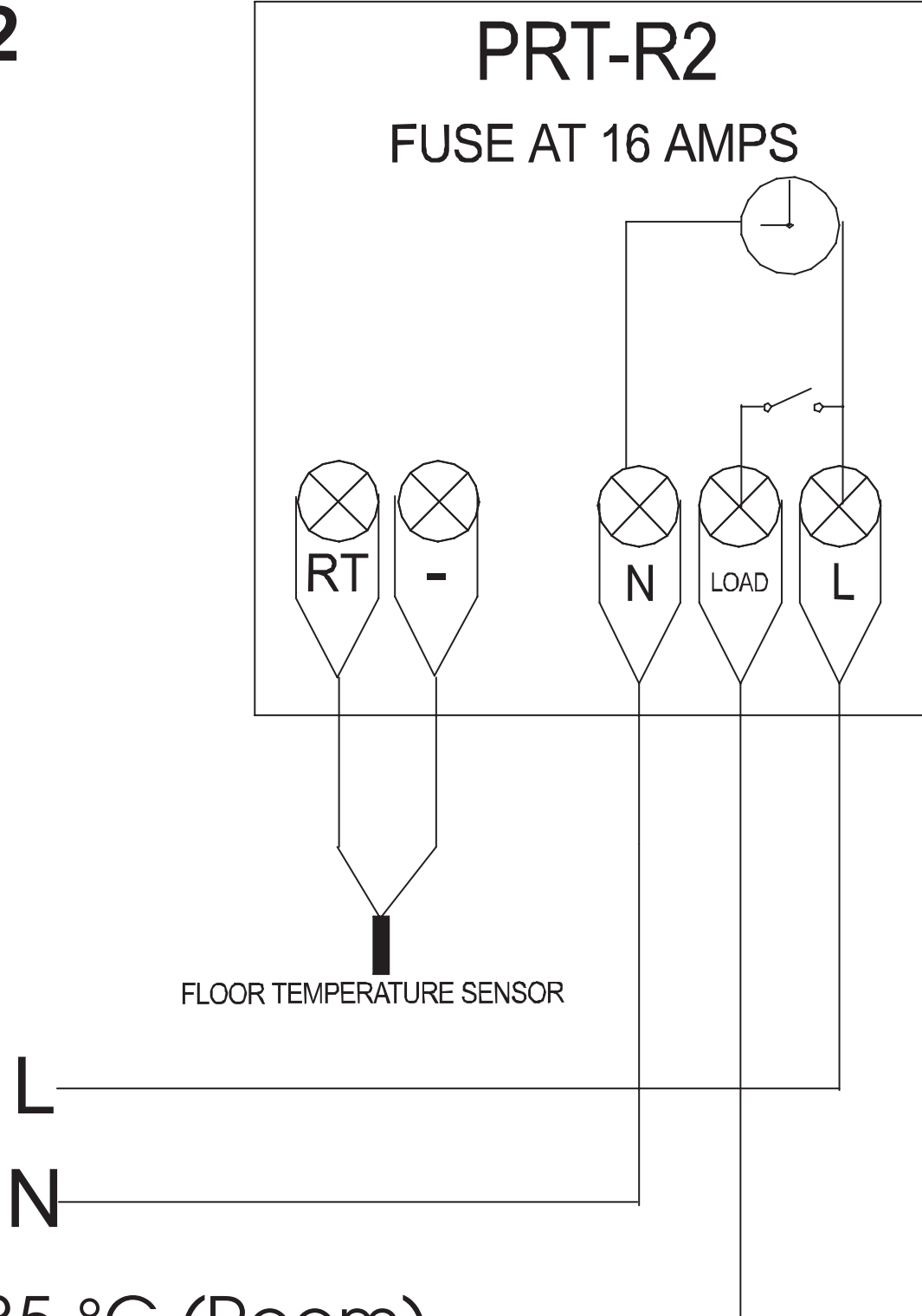
22

Heatmiser PRT-R



Set-point range: 5-70 °C
Switch Current Rating: <16A

Heatmiser PRT-R2



Set-point range: 5-35 °C (Room)
Set-point range: 20-45 °C (Floor)
Switch Current Rating: <16A

SWITCHED LIVE OUTPUT
 TO BOILER, PUMP, VALVE
 OR ELECTRIC UNDER FLOOR
 HEATING